

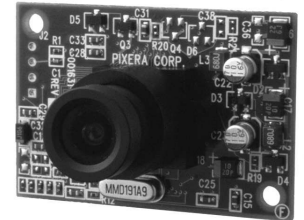


PXG-200ND-ST

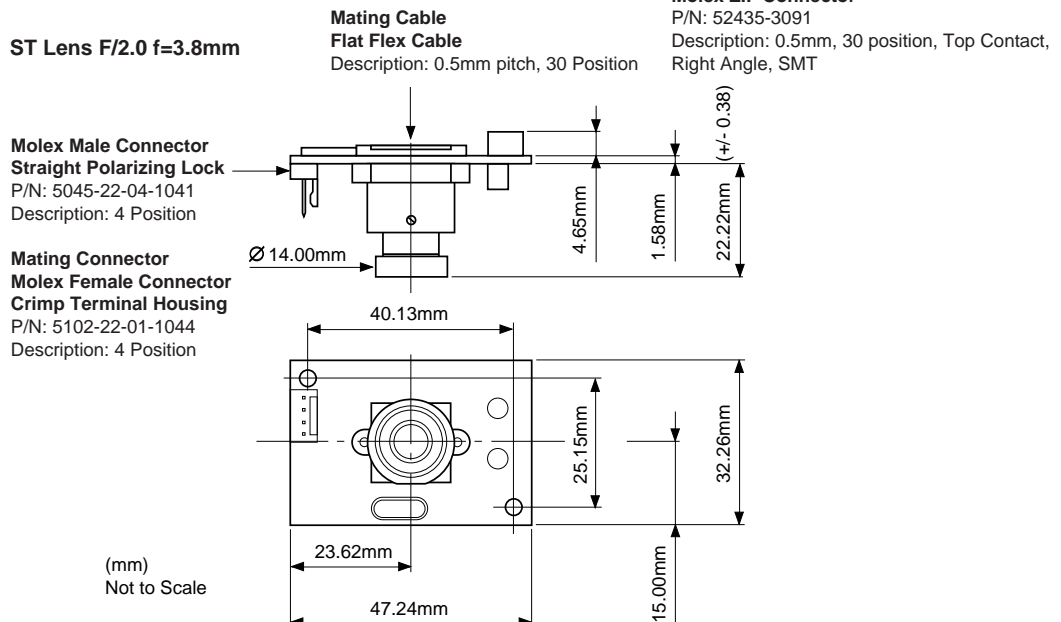
• CCD Color Analog & Digital Video Camera Board	PXG-200ND-ST2.0	NTSC/Digital
• 2lux Sensitivity with F/2.0 lens	PXG-200PD-ST2.0	PAL/Digital
• Superior Image Quality	PXG-200ND-ST2.8	NTSC/Digital
• Great for Build-in Application	PXG-200PD-ST2.8	PAL/Digital
	PXG-200ND-WA2.0	NTSC/Digital
	PXG-200PD-WA2.0	PAL/Digital
	PXG-200ND-WA2.5	NTSC/Digital
	PXG-200PD-WA2.5	PAL/Digital

Product Specification

Image Sensor	1/4" 270k Pixel IT-CCD
Effective Number of Pixels	512(H) x 492(V) Pixels
Resolution	Horizontal 330 TV Lines
Output Signal	NTSC, PAL or Digital YUV
Lens - Standard	F/2.0, f=3.8mm, D:66° H:53° V:39° (ST2.0)
Lens - Option	F/2.8, f=3.8mm, D:66° H:53° V:39° (ST2.8) F/2.0, f=2.0mm, D:119° H:98° V:75° (WA2.0) F/2.0, f=2.5mm, D:107° H:94° V:67° (WA2.5)
Signal Processing	DSP (8bit A/D, 10bit D/A)
Sensitivity	2lux with F/2.0
S/N	46dB
AGC	6dB
Electronic Shutter	1/60sec-1/100,000sec, Auto
White Balance	Auto
Gamma Correction	0.45 typ.
Synchronization	Internal Synchronization
Size	47mm(W)x32mm(H)x28mm(D)
Weight	0.06oz (18gr)
Power Consumption	DC 5V 160mA
Power Supply Requirements	DC 5V ±5% 300mA
Operating Temperature	14°F - 122°F (-10°C - +50°C)
Operating Humidity	10%-90% RH
Compliance	CE, FCC and VCCI Class B



Mechanical Dimensions



The information in this datasheet is subject to change without notice at any time.

Pixera Corporation
140 Knowles Drive
Los Gatos, CA, 95032

Tel 408 341 1800
Fax 408 341 1818
www.pixera.com