



PXG-150N-PH "picolo"

- CCD Color Video Camera
- 10lux Sensitivity with F/3.5 lens
- High Image Quality
- Low Power Consumption
- Very Small Size & Versatile Design

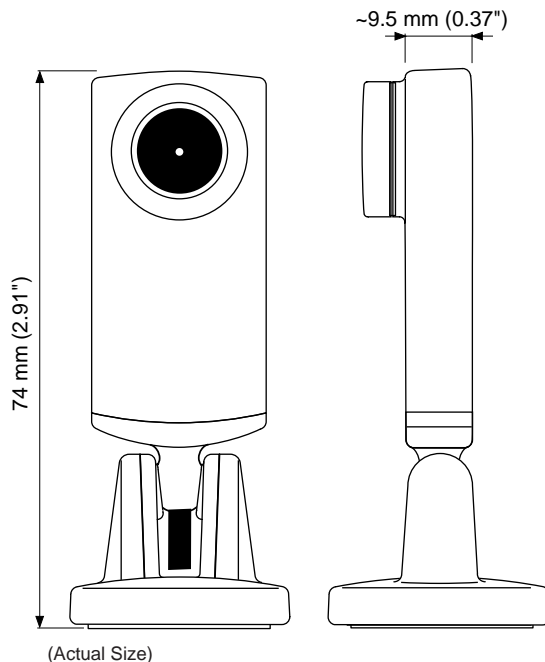
PXG-150N-PH NTSC/Pinhole Lens
PXG-150P-PH PAL/Pinhole Lens
 Including 6ft Video/Power Cable with RCA Connector and DC Jack, AC Power Adaptor & 5 Mounting plates.
 (Specify Country for AC Power Adaptor)
 Options:
 PXG-150 Kit: As above including retail packaging.

Product Specification

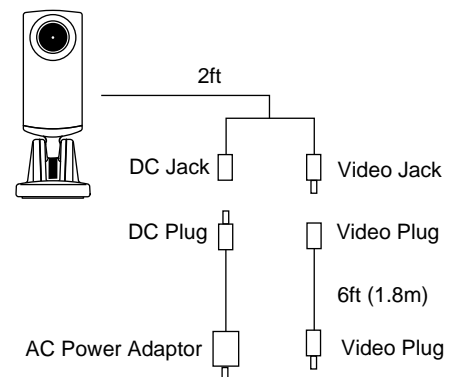
Image Sensor	1/4" 270k Pixel IT-CCD
Effective Number of Pixels	512(H) x 492(V) Pixels
Resolution	Horizontal 330 TV Lines
Output Signal	NTSC or PAL Video Signal
Lens	Pinhole Lens: F/3.5, f=3.7mm
View Angle	Standard Lens D:68° H:54° V:40°
Signal Processing	DSP (8bit A/D, 10bit D/A)
Sensitivity	10lux with F/3.5
S/N	46dB
AGC	6dB
Electronic Shutter	1/60sec-1/100,000sec, Auto
White Balance	Auto
Gamma Correction	0.45 typ.
Synchronization	Internal Synchronization
Size	23mm(W)x74mm(H)x9.5mm(D)
Weight	0.3oz (8gr) without cable
Power Consumption	DC 4V 160mA
Power Supply Requirements	DC 4.5V ±5% 140mA
Operating Temperature	14°F - 122°F (-10°C - +50°C)
Operating Humidity	10%-90% RH
Compliance	CE, FCC and VCCI Class B



Mechanical Dimensions



System Configuration



Example of Video Input/Output Devices

- TV (Video In)
- VCR (Video In)
- PC (via PCI Video Capture Card or USB Adapter)
- Notebook (via PCMCIA Capture Card or USB Adapter)
- TCP/IP Network Video Server or Video Switcher

Pixera Corporation
 140 Knowles Drive
 Los Gatos, CA, 95032

Tel 408 341 1800
 Fax 408 341 1818
 www.pixera.com

The information in this datasheet is subject to change without notice at any time.