



# PXG-160N-ST

- CCD Color Video Camera
- 2lux Sensitivity with F/2.0 lens
- Superior Image Quality
- Low Power Consumption
- Very Small Size & Versatile Design

PXG-160N-ST2.8	NTSC
PXG-160P-ST2.8	PAL
PXG-160N-ST2.0	NTSC
PXG-160P-ST2.0	PAL
PXG-160N-WA2.0	NTSC
PXG-160P-WA2.0	PAL
PXG-160N-WA2.5	NTSC
PXG-160P-WA2.5	PAL

Including 6ft Video/Power Cable with RCA Connector & DC Jack, AC Power Adaptor and 5 Mounting plates.  
(Specify Country for AC Power Adaptor)

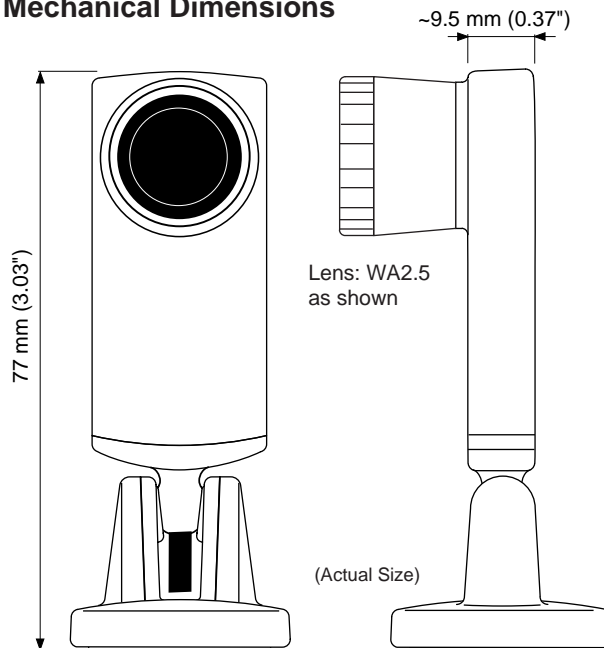
Options:  
6ft Video Extension Cable

## Product Specification

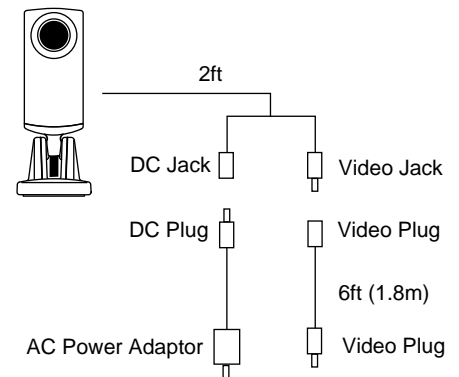
Image Sensor	1/4" 270k Pixel IT-CCD
Effective Number of Pixels	512(H) x 492(V) Pixels
Resolution	Horizontal 330 TV Lines
Output Signal	NTSC or PAL Video Signal
Lens - Standard	F/2.8, f=3.8mm, D:66° H:53° V:39° (ST2.8)
Lens - Option	F/2.0, f=3.8mm, D:66° H:53° V:39° (ST2.0) F/2.0, f=2.0mm, D:119° H:98° V:75° (WA2.0) F/2.0, f=2.5mm, D:107° H:94° V:67° (WA2.5)
Signal Processing	DSP (8bit A/D, 10bit D/A)
Sensitivity	2lux with F/2.0
S/N	46dB
AGC	6dB
Electronic Shutter	1/60sec-1/100,000sec, Auto
White Balance	Auto
Gamma Correction	0.45 typ.
Synchronization	Internal Synchronization
Size	23mm(W)x77mm(H)x9.5mm(D/without lens)
Weight	0.3oz (8gr) without cable
Power Consumption	DC 4V 160mA
Power Supply Requirements	DC 4.5V ±5% 140mA
Operating Temperature	14°F - 122°F (-10°C - +50°C)
Operating Humidity	10%-90% RH
Compliance	CE, FCC and VCCI Class B



## Mechanical Dimensions



## System Configuration



### Example of Video Input/Output Devices

- TV (Video In)
- VCR (Video In)
- PC (via PCI Video Capture Card or USB Adapter)
- Notebook (via PCMCIA Capture Card or USB Adapter)
- TCP/IP Network Video Server or Video Switcher

**Pixera Corporation**  
140 Knowles Drive  
Los Gatos, CA, 95032

Tel 408 341 1800  
Fax 408 341 1818  
www.pixera.com

The information in this datasheet is subject to change without notice at any time.