



PXG-405N-PH

- CCD Color Video Camera Module
- Mini Bullet Style
- 4 Bright LED's
- 0lux Sensitivity Up to 5ft
- Superior Image Quality
- Great for Build-in Application, Inspection, etc.

PXG-400N-PH NTSC/Digital
 PXG-400P-PH PAL/Digital
 Including 2ft Video, Video Power and LED Power
 Cable. (No Connectors)

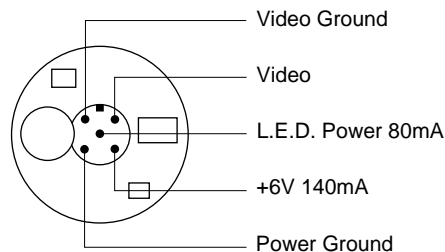
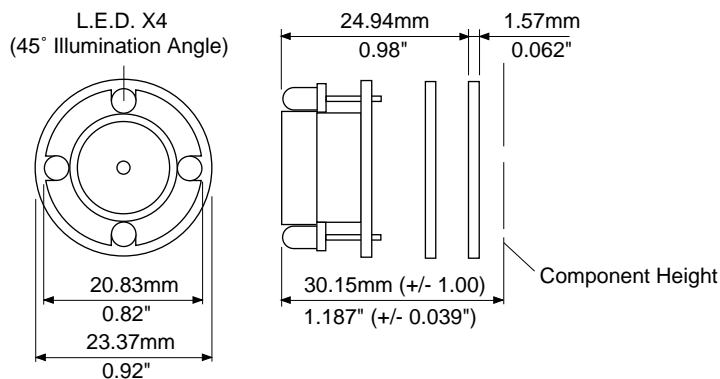
Contact Pixera for optional connectors.

Product Specification

Image Sensor	1/4" 270k Pixel IT-CCD
Effective Number of Pixels	512(H) x 492(V) Pixels
Resolution	Horizontal 330 TV Lines
Output Signal	NTSC or PAL
Lens - Standard	F/3.5, f=3.7mm,
View Angle	D:68° H:54° V:40° (ST2.0)
Signal Processing	DSP (8bit A/D, 10bit D/A)
Sensitivity	0lux Up to 5ft
S/N	46dB
AGC	6dB
Electronic Shutter	1/60sec-1/100,000sec, Auto
White Balance	Auto
Gamma Correction	0.45 typ.
Synchronization	Internal Synchronization
Size	23.4mm(D)x30.15mm(L) excl. connector.
Weight	0.06oz (18gr)
Power Consumption	DC 6V 160mA
Power Supply Requirements	DC 6V ±5% 300mA
Operating Temperature	14°F - 122°F (-10°C - +50°C)
Operating Humidity	10%-90% RH
Compliance	CE, FCC and VCCI Class B



Mechanical Dimensions



(Actual size)
 Diagram applies to both NTSC and PAL

Pixera Corporation
 140 Knowles Drive
 Los Gatos, CA, 95032

Tel 408 341 1800
 Fax 408 341 1818
 www.pixera.com

The information in this datasheet is subject to change without notice at any time.